

Hong Kong Precision Machinery Eng., Co., Ltd

香港頂峰機械工程有限公司

*One-Stop Shop
of
ESD Supplies and Services*

No. 12, 14/F, Rear Block, Wah Fat Industrial Bldg., 10-14 Kung Yip St., Kwai Chung, N.T. Hong Kong
Tel : 852-24259756 Fax : 852-24870231 E-mail : bill.ng@hkprecision.com.hk

新界葵涌工業街 10-14 號華發工業大廈後座 1412 室
電話 : 852-24259756 傳真 : 852-24870231 電郵 : bill.ng@hkprecision.com.hk

Website: www.esd-chat.com.hk

Major product range:

- ESD Control Products and Consultancy
- Vacuum Packing Sealers and Repair
- Production Hand Tools and Equipment
-

Our Technical Staff:

- Bill Ng, General Manager, member of ESD Association ® of USA (ESDA) and The Hong Kong Society of Quality (HKSQ)

LIST OF POPULAR ITEMS

DESCO INDUSTRY

- DESCO WRIST STRAP, JEWEL, ADJ ELAST SAPPHIRE, 6' CORD, 4 MM	P/N : 09100	4
- WRIST STRAP, JEWEL, MAGSNAP, DUAL, ADJ ELAST, ONYX, 6FT ANGLE	P/N : 19824	4
- FOOT GRINDER, HEEL, LIME GREEN STRAP, 1MEG, UL LISTED	P/N : 07599	4
- FOOT GRINDER, FULL COVERAGE, NON-MARRING	P/N : 17270	5
- ZERO VOLT MONITOR,, WITH 2 09163 WRIST STRAPS, 100-240V	P/N : 50538	5
- MAT, STATFREE T2, RUBBER, BLUE, 0.060" x 24" x 36"	P/N : 66040	5
- STATSHIELD METAL-IN BAG, ZIP , 100 EA/PACK	P/N : 13600	6
- IONIZER, BENCH TOP, ZERO VOLT, 220V LESS PWR CORD, CE	P/N : 50670	6
- STATIC LOCATOR, DIGITAL	P/N : 19430	6
- STATSHIELD, MBB BAG, 100 EA/PACK	P/N : 13802	7
- TESTER, COMBO X3, WITH STAND	P/N : 19277	7
- DESCO GROUND HUB MONITOR, 220V ASIA	P/N : 19224	7
- DESCO DIGITAL SURFACE RESISTANCE TEST KIT	P/N : 19787	8
- DESCO 3-FAN ZERO VOLT OVERHEAD IONIZER	P/N : 50672	8

MONROE ELECTRONICS

- MONROE 268A Charged Plate Analyzer	P/N : 268A	9
- MONROE 284 NanoCoulomb Meter	P/N : 284	9
- MONROE 288B Charge Plate Monitor	P/N : 288B	10
- MONROE 287A Ionizer Performance Analyzer	P/N : 287A	10
- MONROE 291 Resistivity Meter	P/N : 291	11
- MONROE 281 Static Locator	P/N : 281	11
- MONROE 281L 2000 Volt Range Digital Stat-Arc	P/N : 281L	11

SIPEL

- SIPEL QUICK CHANGE TWEEZERS		12
- SIPEL PEN-VAC ORIGINAL ESD SAFE		13

THUNDERON Conductive Brushes 14

Sharpie Marker

- Sharpie Ultra Fine Point Permanent Marker	30000	15
- Sharpie Extra Fine Point Permanent Marker	35000	15

LIST OF POPULAR ITEMS

- Conductive Black Rubber Band	16
- Anti-static Rubber Band	16

PAC PACKAGING AIDS, made in USA

- PV-G24 Vacuum Sealer, Floor model	17
- PVS-GT18 Vacuum Sealer, All Stainless Steel Floor model on Tabletop	18
- PVT20B/PVT25B Vacuum Sealer, Tabletop Light model	19
- Futura Portable Hand-held Heat Sealer	20
- Super Poly Hand-held Heat Sealer	21

PAC/Audionvac, made in Holland/USA

- VMS 173, Vacuum Chamber Sealer, Medium Floor Model	22
- Audion Pronto PRA-255 Bag Hand-operated Sealer	23
- VMS 153, Vacuum Chamber Sealer	24

PAC Spare Part

.....	25
-------	-----------

DESCO WRIST STRAP, JEWEL, ADJ ELAST SAPPHIRE, 6' CORD, 4 MM, P/N: 09100

- Highly Visible Colors
- Solid Stainless Steel Machined Snap Stud*
- Silver Impregnated Polypropylene Knitted Band Material
Non-Shedding, Non-Sloughing Replaceable Lightweight
Fabric Band Medical Grade Stainless Steel Locking Clasp
- Superior Strain Relief Tests In Excess Of **50,000,000**
Cycles**; Over 3,125 Times The Minimum Requirement Per
ESD S1.1 With Limited Lifetime Warranty***
- Contoured Spring Supported Banana Plug (US Patent# 5951337)
- Low Profile Snap Design
- True Six Foot (9 Inches Of Nonextended Coils) Coil Cord
- One Megohm Series Resistor
- UL listed
- Date Coded
- Made in America



DESCO WRIST STRAP, JEWEL, MAGSNAP, DUAL, ADJ ELAST, ONYX, 6 FT RT-ANGLE, P/N: 19824

- Revolutionary magnetic interconnect technology (U.S. Patent 5,004,425)
- To be used with Dual-Wire MagSnap Coil Cord
- Dual-wire wrist strap provides redundancy
- Longer lasting; prevents wear
- Superior resistor connection strain relief
- Compatible with 3M and other brand Continuous Monitors
- Adjustable
- Locking clasp
- To see MagSnap® magnetic connection
- Made In USA



DESCO FOOT GRINDER, HEEL, LIME GREEN STRAP, 1-MEG, UL LISTED, P/N: 07599

- High Visibility Neon Lime Green Fastening System
- Non-Marring Interior
- 24" Long, 8 Strand Nylon Polyester Grounding Tab
- One Megohm Series Resistor
- UL listed
- RG: $1 \times 10E6 < 1 \times 10E8$ ohms per ESD SP9.2 7 ESD TR53
- Made In USA



DESCO FOOT GROUNDING, FULL COVERAGE, NON-MARRING, P/N: 17270

- Unique Design Requires No Fastening System
- Contact Points on Foot's Sole and Heel Area
- Neoprene Rubber With No Exposed Carbon
- 18" Long, 8 Conductive Strand Nylon Polyester Grounding Tab
- One Megohm Series Resistor
- UL Listed
- RG: $1 \times 10E6 < 1 \times 10E8$ ohms per ESD SP9.2 7 ESD TR53
- Date Coded
- Made In USA



DESCO ZERO VOLT MONITOR 50538, Ready-To-Use, Complete Set

- Dual Wire Continuous Monitors provide redundancy; even if one dual wire wrist strap conductor is severed, operator has reliable path-to-ground with the other wire.
- Most advanced means of monitoring the ground path for operators, workstations, and equipment
- Equal opposite polarity brings operator to zero volts to ground.
- Adjustable audible alarm level
- For use with dual-wire wrist straps
- Replaceable remote jacks
- Durable stainless steel enclosure
- Test voltage single +1.25 and - 1.25
- Operator charge detection
- Made In USA



DESCO MAT, STATFREE T2, RUBBER, BLUE, 0.060" x 24" x 36", P/N: 66040

- Dissipative Dual Layer Rubber Material.
- Dissipative ($10E6 - 10E8$ ohms Rtt) Top Layer
- Conductive ($<10^4$ Rtt) Bottom Layer - Limited Lifetime Warranty
- High Strength Nitrile Rubber Compound
- Ultraviolet (UV) Stabilizer Additives
- Non-Humidity Dependence
- Lot Traceability Information
- Includes 14213 Ground Cord
- *Lead-free RoHS compliant*
- Made In USA



DESCO STATSHIELD METAL-IN BAG, ZIP, 100 EA/PACK, P/N: 13600

- Most commonly used shielding bag meets limits of ANSI/ESD S541 per ANSI/ESD S20.20
- 40% light transmission
- Integral antistatic, low tribo-charging properties
- Integral static dissipative properties
- Manufactured on specially designed soft fold converting machines
- Large 3/8" wide seals - high performance interior sealing layer
- Identified with ESD Protective Symbol as required by ANSI/ESD S541 with lot code #.
- Polycarbonate compatible containing no amines or N-octanic acid
- Testable to industry standards
- Low charging antistatic high visibility yellow re-closable zipper
- Use labels to close shielding bags and seal ESD protective packaging
- *Lead-free RoHS compliant*
- Made In USA



DESCO IONIZER, BENCH TOP, ZERO VOLT, 220V LESS PWR CORD, CE, P/N: 50670

- Offset voltage balance controlled to ± 3 Volts typical tested per ANSI/ESD S3.1
- The Best Balancing Ionizer available
- Fast discharge times and offset voltage well below $< +/- 50$ volt required limit of ANSI/ESD S20.20
- Features steady state DC ionization and EMIT's patented (US Patent #4,974,115) Sense Feedback balancing
- Sealed "Thru-Tunnel" air flow design
- Communication via RS485 compatible data output with a host computer
- CSA certified
- Made in the United States of America
- Low Ozone Emissions – tests well below the OSHA limit of 0.05 ppm ozone
- RS485 Data Output Port – consult factory for further information

EMIT



DESCO STATIC LOCATOR, DIGITAL, P/N: 19430

- Portable Kit for Testing of Electrostatic Fields and Offset Voltage
- Stainless Steel Conductive Plate for Static Field Meter
- LED Range Guide
- Hold Button
- Made In USA



DESCO STATSHIELD, MBB BAG, 100 EA/PACK, P/N: 13802

- ≤ 0.005 Grams Moisture Vapor Transfer Rate (MVTR)
- Film Laminate Metal Layered 0.0035" (3.5 mil) Thick Bag
- <10 nJ Energy Penetration Tested per ANSI/ESD STM11.31
- >20 lb Puncture Strength Average per FTMS 101C/4046
- Dissipative Inner and Outer Surfaces $R_{tt} <10E11$ ohms per ANSI/ESD STM11.11
- Printed with ESD Protective Symbol and lot code information
- Lead-free RoHS compliant
- Made In USA

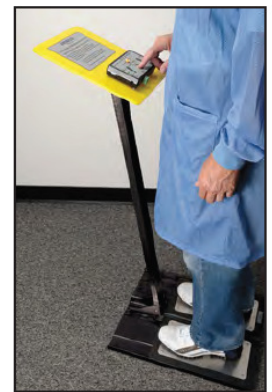


DESCO TESTER, COMBO X3, WITH STAND, P/N: 19277

- Simultaneous Testing Of Wrist Strap* And Foot Wear In Up To 3 Seconds
- Black Powder-Coated Stand
- Split Foot Plate for Testing Foot Grounders (or Shoes) Solid State Touch Test Button With No Moving Parts
- 30 Volt Test Signal
- Relay For Use With Automatic Doors Or Other Locking Systems
- Stainless Steel Split Footplate
- NIST Calibrated
- Made In USA



Desco [19276](#)
Combo Tester X3



Desco [19277](#)
Combo Tester X3
with Stand

DESCO GROUND HUB MONITOR, 220V ASIA, P/N : 19224

- Monitors AC Outlet's Wiring and Path to Earth Ground
- Constant Visual Indicator
- Visual and Audio Fault Alarms
- Six Banana Jacks and Six Screws for #8 Ring Terminals
- Made in the United States of America



DESCO DIGITAL SURFACE RESISTANCE TEST KIT, P/N : 19787

- Thinner and narrower design is easier to hold and provides protection from drops.
- Bypasses the 15 second electrification period to allow quick spot checks.
- Easy-to-access compartment without the need for tooling or probes.
- Measures resistance point-to-point(Rtt) or surface to ground (Rtg) of worksurfaces, flooring systems, garments, packaging, and other materials in accordance with ESD Association documents: ESD TR53, ANSI/ESD S4.1, ANSI/ESD S7.1, ANSI/ESD STM97.1 and other documents.
- Resistance Range: Greater Than 1.0×10^3 ohms to Less Than 1.0×10^{12} ($\pm 10\%$ Accuracy)
- Under Load Test Voltages (10V or 100V $\pm 5\%$)
- Switches to appropriate test voltage (10V for tests $< 1 \times 10^6$ or 100V for tests $> 1 \times 10^6$) in AUTO mode or may be fixed to at 10V in HOLD mode.
- Ohm Values are Expressed with a Digital Mantissa and LED Exponent
- Pre-set 15 Second Electrification Period in Full Test Mode : Meets the requirements of the ANSI/ESD S4.1 testing requirements.
- Temperature (Fahrenheit and Celsius) and Relative Humidity Measurements
- NIST Calibrated with Certificate
- Made in the United States of America



DESCO 3-FAN ZERO VOLT OVERHEAD IONIZER, P/N : 50672

The Overhead Zero Volt Ionizer utilizes Steady State DC ionization. Steady State DC systems consist of separate negative and positive ion emitters connected by a pair of high-voltage cables to their respective high-voltage power supplies. The ionizer utilizes feedback from the internal sensor grill to continuously adjust the output to maintain balance.



- Low Balance (Offset Voltage) : Balance ± 3 volt, typically; ± 5 volts maximum controlled via EMIT patented Auto-Balancing Sense Feedback
- Fast Discharge Time : Tested at 3.1 seconds Neutralization Discharge Time under fan 1,000 volts to 100 volts per ESD S3.1 (18" under fans)
- Data acquisition via RS485 to computer recording levels of performance at all times
- Easy to adjust or calibrate with control buttons on the unit, no adjustments tools are needed. Optional battery operated hand-held Infrared Remote Control to adjust offset voltage (balance), and maintenance and alarm levels (using Charged Plate Monitor)
- Overhead installation with two 9-speed fans
- Up to 124 units can be daisy-chained into one serial port
- CSA certified
- Made in the United States of America

MONROE 268A Charged Plate Analyzer

The Model 268A is the most affordable charged-plate monitor available. It is suited to test all types of ionization systems according to ESD Association standard S3.1. It features 1 kV and 5 kV charging ranges for testing ionization systems or for testing ESD control materials. It's ability to display peak positive and negative offset voltage swings make it the ideal tool to quickly and accurately balance pulsed-DC ionization systems. The detachable ion collecting plate can be placed at the work height or placed within process equipment to evaluate ionizers while in use.

Model 268A-1T incorporates an adjustable stop voltage for decay tests to accommodate specialized needs. This option allows the user to set the timer stop voltage at any level from 0 V to 1000 V.



MONROE 284 NanoCoulomb Meter

The Model 284 NanoCoulomb Meter directly measures electrostatic charge on conductive, dissipative, or insulative objects. Model 284 is ideal for testing items, such as ESD packaging, populated PC boards, disk drive components, and electronic devices, according to industry standards and test methods that require charge measurements, such as ANSI/ESD S541 and SEMI E78.

Measure charges on isolated conductors by direct contact using a point contact probe (sold separately). Measure charges on all types of objects by placing the charged object in a Faraday cup (sold separately), which is connected to the meter input. Two interchangeable standard sizes of Faraday cups serve most needs. The inner dimensions of these are 2-5/8" dia. x 2-3/4" deep and 5-3/4" dia. x 7" deep. Custom sizes are available on special order



- Simple to operate
- Portable, self-contained, battery operated
- Two measurement ranges (20 nC and 200 nC)
- Resolves 0.1 nC

MONRON 288B Charge Plate Monitor

Model 288B is the first charged-plate monitor offering on-board data storage to automate ionization system testing. Use the Model 288B to perform the customary manual tests, or program it to perform a series of automated decay and balance tests. Soft keys simplify the programming and operation of automated tests. Upload test set-ups and ionizer locations. Download stored test results, including environmental data captured by integral temperature and relative humidity sensors. The Model 288B uses a novel voltage-follower measurement technique to increase stability, bandwidth, and accuracy, making it ideal for testing the most modern critical-balance ionizers.

- **NEW Auto Ranging to 0.1V resolution below 100V**
- **NEW Compatible with Monroe's New 288B Graphing Software**
- Test all types of Ionizers
 - Automated testing reduces ionizer test time and data logging time
- Adjustable start and stop voltages for decay test accommodate specialized needs
- Large, easy-to-read, high-contrast LCD display
- Detachable ion collecting plates can be placed at the work height or placed within process equipment to evaluate ionizers while in use
- Small ion collecting plates are available to permit measurements in confined spaces
- LED bar graph shows balance voltage in real time



MONROE 287A Ionizer Performance Analyzer

The Model 287A is a low-cost and highly portable alternative to a charged-plate monitor for periodic verification of ionizer performance. It permits ionizer testing at the work location without the need to remove the ionizer from service for testing.

- *Manual or automated tests*
 - Optional 6-inch plate attachment (Model 287/22C) achieves 1:1 correspondence with standard charged-plate monitor test results*
- *Saves the test results for ten manual tests or ten automated test sequences including environmental data*
- *Integral temperature and relative humidity sensors to capture environmental data during test*
 - Test results correlate to standard tests performed using a charged-plate monitor in accordance with ESD Association standard S3.1*
 - Integrates decay timer lacking in ionizer test kits for fieldmeters*



MONROE 291 Resistivity Meter

Model 291 is a portable, battery-operated survey instrument for evaluating the resistive properties of static control products such as static dissipative packaging, flooring, or work surfaces over the range of $10E3$ to $10E12$ ohms or ohms per square. Model 291 uses a parallel electrode configuration conforming to ASTM D-257. It also accepts external electrodes for point-to-point and resistance-to-ground measurements. A test lead is included for resistance-to-ground measurements.



Model 291 is convenient and easy to use. Simply place the 291 directly on the item to be measured. An easy-to-read, color-coded LED decade display quickly and clearly indicates the resistivity or resistance range.

- Survey tool
- 10V and 100V test voltages
- Portability and rugged construction ideal for manufacturing environment

MONROE 281 Static Locator

The model 281 is ideal for those looking for the most important features in a fieldmeter at a very reasonable price

- Easy-to-read digital display of field strength provides quantitative data with 100V resolution
- HOLD button to retain measurements made in hard-to-read locations
- Battery SavR™ turns the fieldmeter off when not in use
- $\pm 20kV$ at 1 inch
- RoHS Compliant



MONROE 281L 2000 Volt Range Digital Stat-Arc

The 2000V Range Digital Stat-Arc, model 282L is a pocket-sized, non-contacting static meter designed for sensitive, low-voltage measurements which produces consistently accurate readings, and is easy to use.

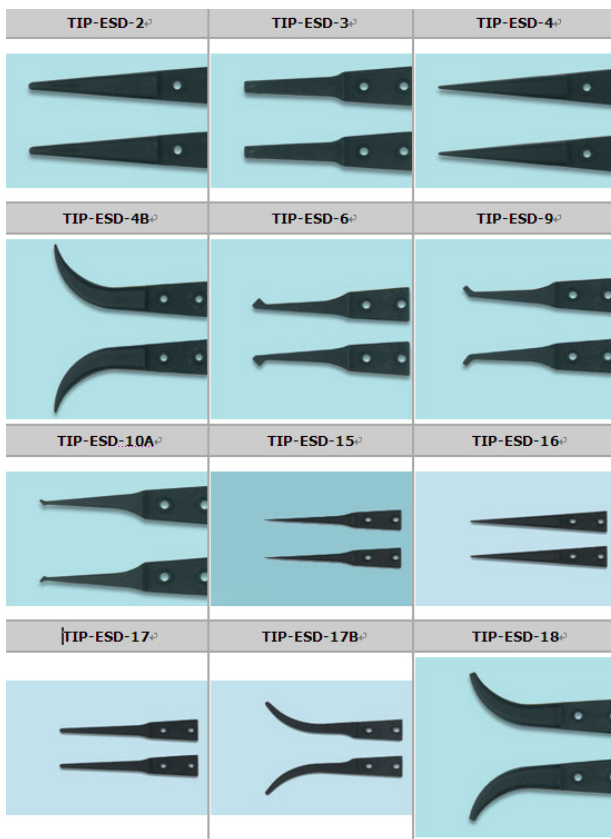


SIPEL QUICK CHANGE TWEEZERS

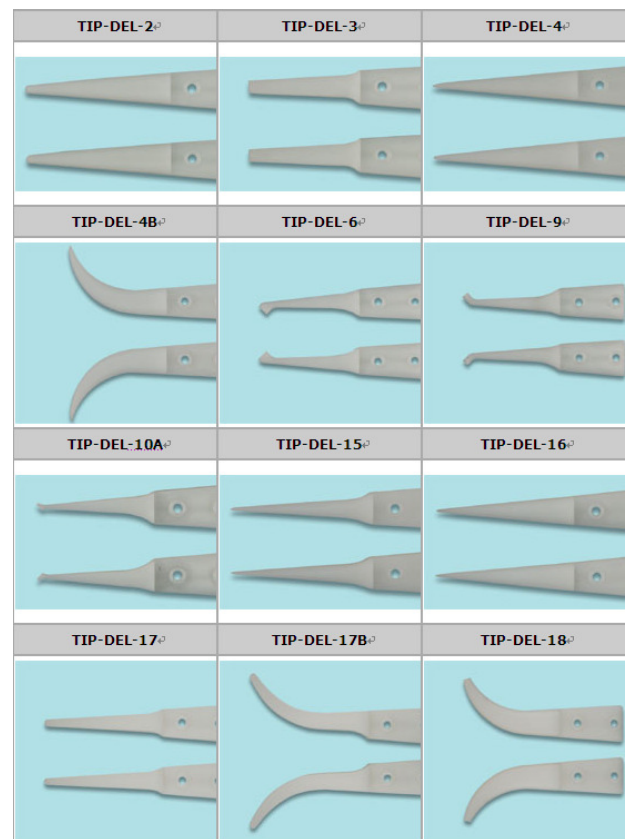
Stainless AntiAcid AntiMagnetic Handle



STD Grey Static Dissipative TIP-STD



STD Grey Static Dissipative TIP-STD



SIPEL PEN-VAC® ORIGINAL ESD SAFE

- Self Contained Vacuum Handling Tools
- Clear aluminum finish
- With storage compartment. Ideal for Picking up Small flat parts up to 200 grams
- With high temperature BLACK ESD silicone cups, heat resistant up to 230° C / 445° F for up to one minute



Thunderon® Conductive Brushes

Thunderon® Conductive Brushes give you proven, unmatched static control.

A patented organic fiber of copper sulfide chemically bonded to acrylic and nylon fibers, Thunderon® performs better than conventional carbon, stainless steel, or metal-plated fibers. Thunderon® offers unmatched corona discharge, superb conductivity, enhanced abrasion resistance and superior bend recovery, and antibacterial and odor-elimination properties.

Thunderon® is ideal for use in printing, office machines, business machines, photo finishing, paper converting, plastic converting, and textile machinery. It also has bacteriostatic applications in hospitals and clean room environments.

Thunderon Filled Conductive brushes, mixed with Goat Hair. Applications for all kind of ESD environments.

Particularly suitable in removing particles from I.C. leads.

The Soft nature of the hairs also gives fine and complete removal of Static-borne dust from surfaces like mirror, TV monitor, etc. Therefore will not scratch surfaces being brushed.

CONDUCTIVE BRUSHES

Conductive brushes have a surface resistivity range of $10^2 - 10^4$ and are ideal when you need to remove static build up from a work surface. Conductive brushes will provide a conduit from the charged surfaces to the ground. Can also prevent any static build up in the brushes themselves. They are ideal for removing any static charge that might result in any adhesion of particles to an object.

Also Anti-static because of it's unique nature of creating being very low charging materials.



Sharpie Extra Fine Point Permanent Marker

Make your point with precision

Features and Benefits

- Permanent on most surfaces
- Precise tip increases control and accuracy
- Fade and water resistant ink encourages multiple project uses
- Quick drying, AP Certified nontoxic ink formula
- 4 bold colors make your point – black, red, blue, green
- For cleanroom application
- Environmentally safe
- Packing: 12 pcs/box
- Common Colours: red, blue, black



Sharpie Ultra Fine Point Permanent Marker

The ultimate precision point

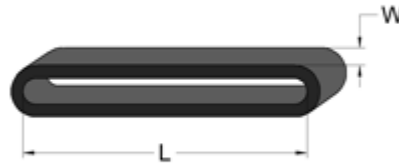
Features and Benefits

- Permanent on most surfaces
- Fade and water resistant ink encourages multiple project uses
- Precise, narrowed tip for extreme control
- Quick drying, AP Certified nontoxic ink formula
- For cleanroom application
- Environmentally safe
- Packing: 12 pcs/box
- Common colours: red, blue, black



Conductive Black Rubber Band

Bundle and protect ESD sensitive IC Tubes, Trays, Boxes and Carriers quickly and safely.



- Common colours: red, blue, black
- Vulcanized Natural Rubber
- Surface Resistivity: $10e6$ ohms/sq
- Static Decay Rate: Less than 2 sec
- ESD Shelf Life : Permanent, Washable and Reusable

Anti-static Rubber Band

Bundle and protect ESD sensitive IC Tubes, Trays, Boxes and Carriers quickly and safely.



- Vulcanized Natural Rubber
- Surface Resistivity: $10e9$ ohms/sq
- Static Decay Rate: Less then 2 sec
- ESD Shelf Life: Approximately one year

Vacuum Sealer, Model PV-G24 (also 18 or 30)

Known as an industry workhorse, the PV-G24 (or PV-G18 or PV-G30) vacuum sealer is designed for applications requiring Modified Atmosphere Packaging for electronic or semiconductor or mechanical components or parts. Combining quality and economy, the PV-G24 (or PV-G18 or PV-G30) comes with a standard gas flush capability, bi-active seal, and independent vacuum, gas, seal, and cool timers. This covers the need for Vacuum Exhaust and Sealing of many kinds of industrial packaging bags.

It can be customized with many features such as a Venturi vacuum system; multistage capability; bag stretcher; vacuum sensor; and Sure-temp Temperature Controller depending on the application required.

Standard features include:

- $\frac{5}{16}$ " wide seal element in each jaw. This meets the sealing needs of a wide variety of bag materials.
- Seal length: 24" (also 18" or 30")
- Rotary electronic controlled timers for each stage of vacuum, gas flush, seal, and cool with 0.25 second increments from 0 to 3.75 seconds for gas, seal and cool and one (1) second increments for vacuum up to 15 seconds. Each timer can be adjusted individually.
- Cycle time starts when the foot switch is activated once, until all stages are finished in one continuous flow.
- The air in the bag can be exhausted to high degree of vacuum and sealed edge can remain sealed for many months.
- Can perform up to 6 cycles per minute and work for many years if well maintained.
- Control panel has on/off control for vacuum pump and high/low pressure analog gauges for monitoring jaw closure and seal pressure.
- Vacuum pump, oil-less – $\frac{1}{4}$ horsepower.
- Requires 220 or 230 volt electric and 100-120 PSI compressed air.
- Made by Packaging Aids Corp., in USA with distributor company in Hong Kong: Internet Technology (HK) Ltd.

Workshelf



Options include:

- Stainless steel work shelf
- Many other options available for special environment or production needs, please contact sales for quote
- Picture shown with work shelf and Optional Lockable Swivel-able castors (full set)

Manufacturer: Packaging Aids Corporation, USA

PAC Vacuum Sealer, Model PVS-GT18

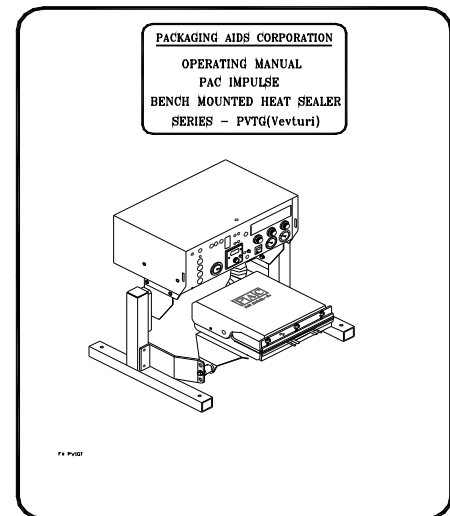
Impulse Vacuum Sealer, Tabletop model, is designed for applications requiring Modified Atmosphere Packaging for electronic or semiconductor or mechanical components or parts. Combining quality and economy, the vacuum sealer comes with a standard gas flush capability, bi-active seal, and independent vacuum, gas, seal, and cool timers and stainless framework. This covers the need for Vacuum Exhaust and Sealing of many kinds of industrial packaging bags.

Standard features include:

- $\frac{5}{16}$ " wide seal element in each jaw.
- Seal length: 18"
- Rotary electronic controlled timers for each stage of vacuum, gas flush, seal, and cool with one (1) second increment for vacuum up to 15 seconds and with 0.25 second increments from 0 to 3.75 seconds for gas, seal and cool. Each timer can be adjusted individually.
- Cycle time starts when the foot switch is activated once, until all stages are finished in one continuous flow.
- Control panel has high/low pressure analog gauges for monitoring jaw closure and seal pressure.
- Venturi pump is used instead of standard vacuum pump, $\frac{1}{4}$ horsepower.
- Requires 220 or 230 volt electric and 100-120 PSI compressed air.
- Extra Power
- Vacuum Relief Valve
- Short Removable Nozzle
- Footpedal
- Cleanroom modifications

Other optional features include:

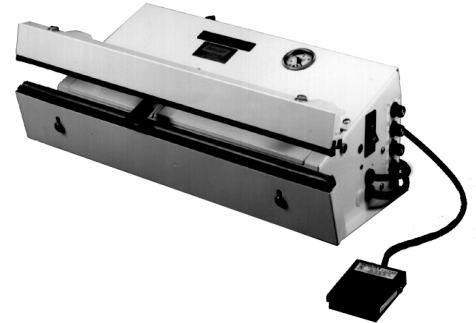
- Bag Stretcher
- Seal-Only
- Seal Length 24" or 30" also available
- Safety device with microswitch
- Other customized options are subject to finalizing by manufacturer PAC



PAC Table Top Vacuum Bag Sealing Machine **Model PVT20B, 25B, 30B**

PAC offers the PVT tabletop vacuum impulse sealer for applications requiring removal of air from a bag before sealing. Standard features include:

- $\frac{3}{16}$ " wide seal element in bottom jaw. This meets the sealing needs of a wide variety of bag materials.
- Electronic timers for vacuum, seal and cool. Time increments are 0.8 seconds for vacuum and 0.2 seconds for seal and cool. Maximum time is 12 seconds vacuum and 3 seconds seal and cool.
- Cycle is started by foot pedal on flexible cord.
- Unit requires 230 volt electric and 90 – 120 PSI compressed air.
- Seal lengths – 20", 25", 30"
- Designed for low volume production as compared to PV-G floor model



Options available:

- Gas Flush Cycle
- Floor stand
- Steel Workshelf simplifies bag positioning by supporting product.
- Other options subject to customized applications, such as Biactive seal jaws; $\frac{5}{16}$ " wide seal; Vacuum Relief Valve; Ported Exhaust; Vacuum Level Sensor; Temperature Controller or call.

Audion Futura Hand-Held Heat Sealers

The **Futura Portable Hand Sealers** are made by Packaging Aids Corp., a name that has been an industry standard for quality sealers for over 40 years. The PAC Aids Futura bag sealers are hand held or table mounted with lightweight construction that makes them versatile for many different applications. They come in three models to meet varying job requirements.

Each model can come with mounting brackets & foot pedal for table top installation (see image below) or without for hand held use. No special stand and no screws are necessary for table top/workbench mounting.

The **Futura Poly** Model with the sealing jaw covered with Teflon coated fiberglass, is designed for sealing polyethylene, PVC, saran and other transparent plastic bag. The Teflon cover keeps the material from sticking to the heating element for making the 1/8" wide by 6" long seal. The bottom jaw contains resilient silicone rubber.

The **Futura Poly Twin** Model has sealbars on both the top & bottom jaws. It makes a 1/8" wide by 6" long seal of the same style at the Futura Poly Model but is able to seal thicker and harder to seal materials.

The **Futura Barrier** Model has two heated 9/16" wide by 6" long bare metal flat jaws (top and bottom) and three temperature settings for mil spec barrier bag materials.

The **Futura Cello** Model has two heated 9/16" wide by 6" long serrated jaws (top and bottom) for crimp sealing materials such as cellophanes, waxed paper, header labels, foils, laminations. The heat is controlled by a switch with three temperature settings.



Futura mounted and with Footpedal



Futura, without accessories

Super Poly

Due to its portable character, this machine is particularly suitable for sealing all kinds of strange and difficult shaped products. The bi-active seal bars (both upper and lower seal bar are equipped with a resistance wire) allows the sealing of thick polyethylene up to 2 x 0,3 mm.

Furthermore it will be possible to seal most of the laminate films, a simple test will tell you if the machine will be adequate for your film or not. The machine needs to be connected to a transformer, where the seal time can be set according to the film you are using. Once the jaws are closed the button is pressed and the seal will start, indicated by a control light. After the sealing time has passed (max. 1-3 sec.) the sealing will stop automatically and you can open the tongs.



Technical specifications	281 PS	381 PS	631 PS
Seal length	280 mm	380 mm	630 mm
Seal width	3 mm	3 mm	3 mm
Opening of the jaws	30 mm	30 mm	30 mm
Weight	2,5 kg	2,8 kg	3 kg
Dimensions	40x35x15 cm	40x45x15 cm	40x70x15 cm

Technical specifications	Transformer
Voltage	230V-1Ph-50/60 Hz
Consumption	1500 W
Weight	7 kg
Dimensions	27x19x19 cm

Audionvac VMS 173

Medium floor model

Digital control panel with 10 programs

Stainless steel chamber

Flat transparent lid



Technical information	VMS 173
Seal width	3,5 mm double seal
Seal bar configurations	
Net seal bar length	450 mm
Effective chamber size	450 x 580 mm
Absolute chamber size (WxDxH)	690 x 460 x 110 mm
Machine dimensions (WxDxH)	780 x 660 x 970 mm
Carton size incl. pallet (WxDxH)	800 x 780 x 1340 mm / 171 kg
Pump capacity	40 m ³ /h

Audion Pronto PRA-255 Bag Sealer

The flexible **Audion Pronto Impulse Bag Sealer** can be wall mounted or table mounted on a work bench. It is a small bag sealer which can be used where space is limited. The Pronto sealer has been designed to seal plastic bags. With a timer, the correct sealing time can be set according to the bags you are using.

The machine is easy to operate. Once the bag is filled, it is placed between the sealing bars. With a simple push on the back plate, the bar will close and the sealing cycle will start. A control light is lit during the seal cycle.

An optional Pronto Stand is also available. It comes with two hooks for hanging wicketed bags.

The Pronto PRA-255 is very easy to maintain--the sealbar pops in and out in less than a minute and you are back in production.

Standard Features include:

- Seal width: 3/32" (2mm)
- Seal length: 10" (255mm)
- Maximum bag thickness (PE): 2 x 8mil (.008)
- Unit requires 115 volt/ 60 Hz electrical



Audion VMS 153 Vacuum Chamber Sealer

PAC offers the tabletop VMS 163 Vacuum Chamber Sealer with a durable stainless steel chamber for applications requiring maximum removal of air to protect the product from exposure. Standard features include:

- Seal width – $\frac{1}{8}$ ".
- Double or Trim Seal.
- Cabinet dimensions (L x W x H) –
20 $\frac{1}{4}$ " x 19" x 17 $\frac{1}{4}$ " or 51.43 x 48.25 x 43.80 cm.
- Chamber dimensions with single seal bar (A x B x C) –
16 $\frac{1}{4}$ " x 14 $\frac{1}{2}$ " x 6 $\frac{1}{2}$ ". ** or 41.25 x 36.82 x 16.50 cm
- Transparent lid and stainless steel frame.
- Ten program digital timer.
- Soft air return to protect delicate products.

Unit requires 220/230 volt 50/60 Hz electric.



** A = Seal bar length

B = Distance from sealbar to back of chamber or sealbar to sealbar

C = Chamber height, dimension given is space under lid dome (middle)

Manufacturer: PAC Audion, Holland

PAC Spare Part

Part No.	Description
8P09577	Vacuum Rubber
8P09356	Teflon Cover
2P10355	Seal Element 5/16" x 18"
2P11355	Seal Element 5/16" x 24"
2P12355	Seal Element 5/16" x 30"
8P09352	Silicone Insulator
2P11591X	Vacuum Rubber Holder for PV-G24

Hong Kong Precision Machinery Eng., Co., Ltd

No. 12, 14/F, Rear Block, Wah Fat Industrial Bldg.,
10-14 Kung Yip St., Kwai Chung, N.T. Hong Kong

Tel : 852-24259756 Fax : 852-24870231

E-mail : bill.ng@hkprecision.com.hk

香港頂峰機械工程有限公司

新界葵涌工業街 10-14 號華發工業大廈後座 1412 室

電話 : 852-24259756 傳真 : 852-24870231

電郵 : bill.ng@hkprecision.com.hk

